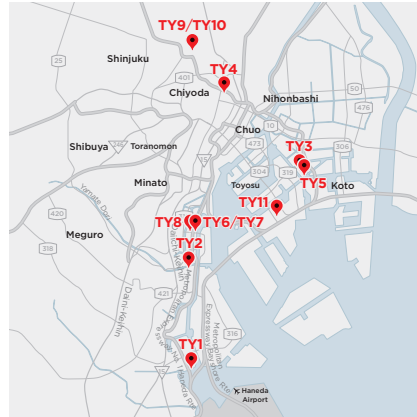


TOKYO METRO

MAJOR PEERING AND INTERNET EXCHANGE POINT FOR ASIA-PACIFIC WITH CONNECTIONS TO JAPAN'S LARGEST CLOUD SERVICE PROVIDER EXCHANGE POINT

Our Tokyo data centers are business hubs for 850+ companies. Customers can choose from a broad range of network services from 80+ providers. There is a dense concentration of financial services companies, internet service providers, and cloud, content and mobility service providers. Equinix customers can interconnect directly to customers and partners in their digital supply chain.

Equinix has eleven International Business Exchange™ (IBX®) data centers in Tokyo, including the recently opened TY11. These Tokyo facilities host one of the largest digital ecosystems with rich representation of cloud services, IT, content and media services, financial services, enterprises and network services. Equinix data centers are a leading network hub in Tokyo, where international and major local carriers meet. In addition, Equinix has the leading regional Internet Exchange, including access to JPIX and JPNAP.



Tokyo Metro Facilities

Equinix has eleven International Business Exchange™ (IBX®) data centers in Tokyo, providing 32,300+ square meters (347,000+ square feet) of colocation space.

Equinix Value by Vertical

For Network Service Providers

- Leading regional internet exchange with 80+ network service providers and access to JPIX and JPNAP
- Unparalleled network hub, where international and major local carriers meet
- Access to Amazon Web Services (AWS) Direct Connect, Microsoft Azure ExpressRoute and Office 365 via the Equinix Cloud Exchange Fabric™, Google Cloud Inteconnect and SoftLayer Direct Link

For Enterprises

- Performance Hub™ to enable next generation wide area network (WAN) architecture for a secure and highly reliable connectivity to 80+ network service providers and 285+ cloud and IT service providers

- Metro Connect Service, Oedo Connect, allows customer in our Tokyo data centers to interconnect regardless of which building they are deployed

For Cloud and IT Services Providers

- Ability to connect to 850+ customers, partners, content providers, networks and internet service providers
- Equinix Cloud Exchange Fabric™ allows providers to quickly and easily offer direct cloud access services globally
- Ability to create business opportunities with 125+ content and digital media providers

For Content and Digital Media

- Interconnect with 80+ network service providers and 125+ content and digital media providers
- Access to JPIX (Japan Internet Exchange) and JPNAP (Japan Network Access Point) to offload IP traffic and reduce transit expense
- Peer with last-mile broadband networks that directly serve 37M people in the Tokyo metro area to improve Quality of Experience (QoE) by reducing latency and reducing variability in end to end transit times

For Financial Services

- Clear choice for multi-venue trading strategies within Japan and between North America, Asia and Australia
- Core for FX electronic execution in Asia with multiple FX matching engines and FX access nodes

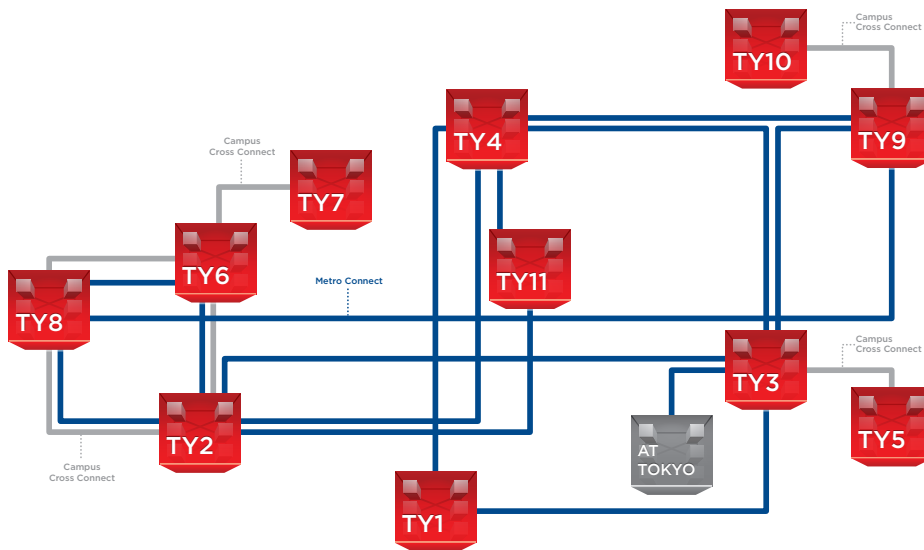


Equinix TY11 Interior (Lobby)



Equinix TY8 Exterior

Connectivity Options Through Equinix



Reasons To Believe In Us

Global Data Centers

- 200+ data centers, 53 major markets, \$25B+ capital invested in capacity/ new markets, global availability 99.9999%+

Connected

- 1,800+ networks and 340,000+ interconnections

Partners, Customers and Prospects

- Blue-chip customer base of 9,800+ global businesses across 25 countries, on 5 continents representing network, digital media, financial services, cloud/IT and enterprise leaders

Equinix Customer Count Per Vertical



80+
Network



265+
Enterprise



85+
Financial Services



125+
Content and Digital Media



285+
Cloud and IT Services

Contact Us

Phone: +81 3 6402 6970

Web: Equinix.co.jp/contact-us/sales